



Winees

# Quick Start Guide

## F2 Pro



# EN CONTENTS

**01** IN THE BOX

PRODUCT OVERVIEW **02**

**03** APP SETUP

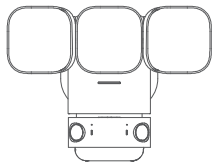
INSTALLATION **05**

**23** LIGHT INDICATIONS

CAUTIONS **24**

**27** NEED HELP?

## IN THE BOX



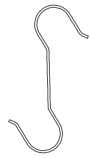
Floodlight Camera



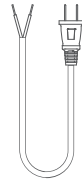
Quick Start Guide



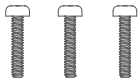
Security Label



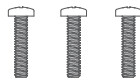
Installation Hook



Power Cord



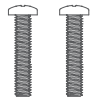
Screws Pack A1



Screws Pack A2



Screws Pack A3



Screws Pack B



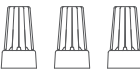
Screws Pack C



Screws Pack D



Metal Bracket

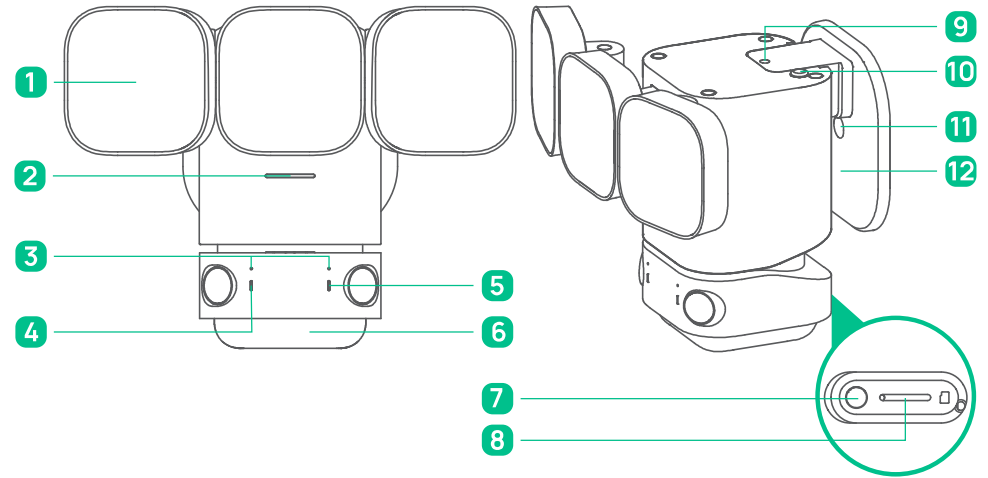


Wire Nuts



Rubber Stopper

## PRODUCT OVERVIEW



- 1. Floodlight
- 2. Speaker
- 3. Microphone
- 4. LED Indicator

- 5. Light Sensor
- 6. Motion Sensor
- 7. Setup Button
- 8. MicroSD Slot  
(SD card not included)

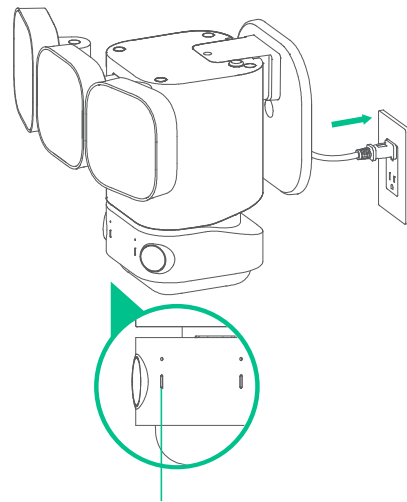
- 9. Security Screw
- 10. Release Button
- 11. Rubber Stopper
- 12. Mount Bracket

## APP SETUP

1. Scan the QR code below to download the AiDot APP. Or search for "AiDot" in App Store or Google Play.

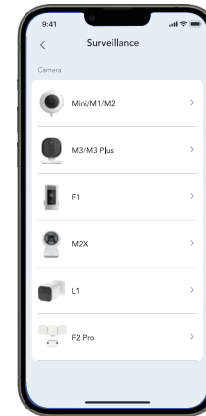


2. Connect Floodlight Camera to a Power source, you will hear "Welcome, please add the camera in the App" with the camera's indicator light flashing in green.

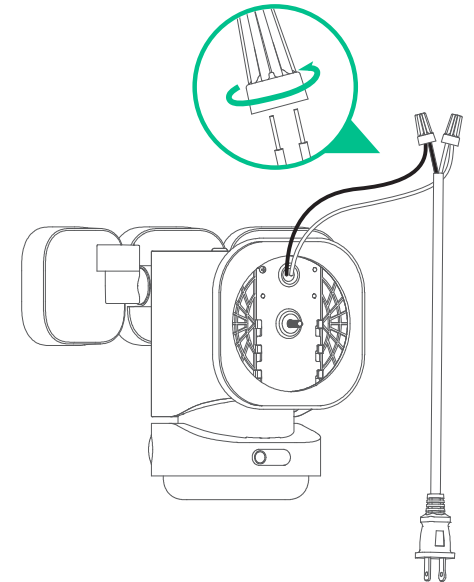


LED indicator light flashing in green

3. In the AiDot app, press "+" to select "F2 Pro" in category "Surveillance", and follow the instructions on App. Make sure you can watch live video from the floodlight camera before installing.



4. Unplug the floodlight camera.  
5. Unscrew the power cord; wire nuts will be used later.  
The power cord is not required when mounting floodlight camera outdoors.



## INSTALLATION



### WARNING:

- Turn off power at the circuit breaker or fuse. To be safe, please verify that the power to the fixture is off.
- Fire hazard. Keep the lamp heads at least 2 in. (51 mm) from combustible materials.



### CAUTION:

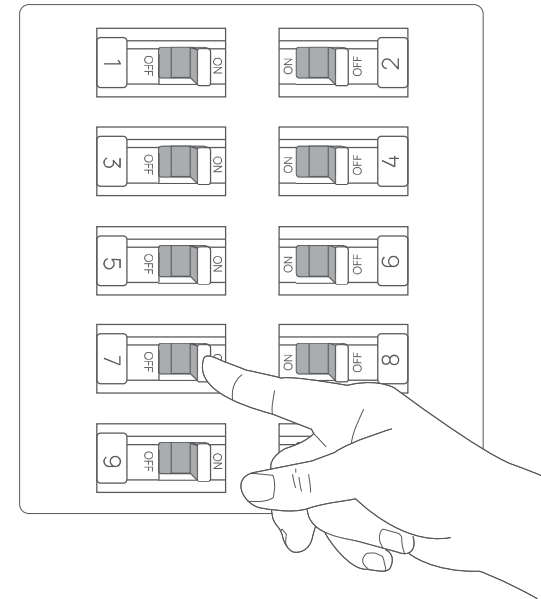
- Burn hazard. Allow the light fixture to cool before touching it.

### NOTICE:

- Please confirm if you have installed the junction box. If not, please find a professional electrician to install the junction box.
- To avoid risk of shock, injury or death, always be cautious when working with electricity.
- Do not connect this light fixture to a dimmer switch or timer.
- Any changes or modifications to this unit not expressly approved by the party responsible for compliance could void the user's authority to operate the equipment.

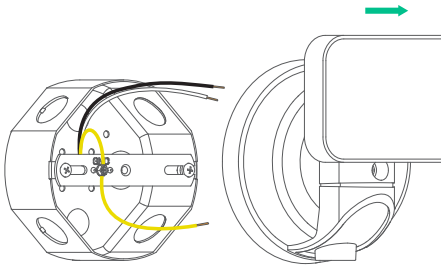
### ● Before any installation

- Make sure the power supply is 100-240V~0.35A Max 50/60Hz power source.
- Turn off the circuit breaker in your home. Switch on/off the lights to make sure the power in your home is turned off properly.

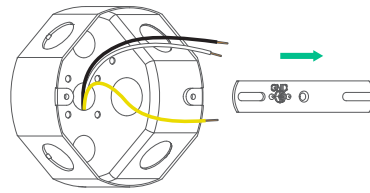


## INSTALLATION

1. With the circuit breaker power off, remove the existing floodlight from the junction box and disconnect the wires.

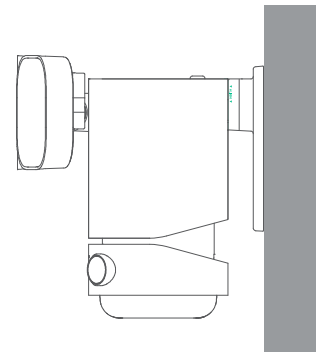


2. If a metal bracket is attached to the junction box, remove it as well.  
3. The junction box and existing electrical wires are required for the floodlight camera installation.

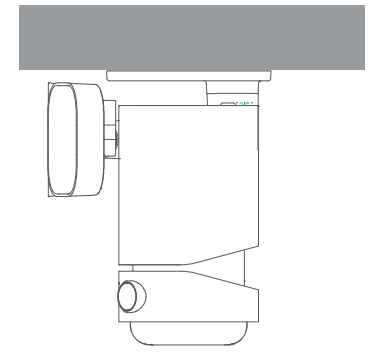


### Placement

- Users can mount the floodlight camera upside down or vertically on the wall.  
Choose the mounting method that best suits your junction box location.



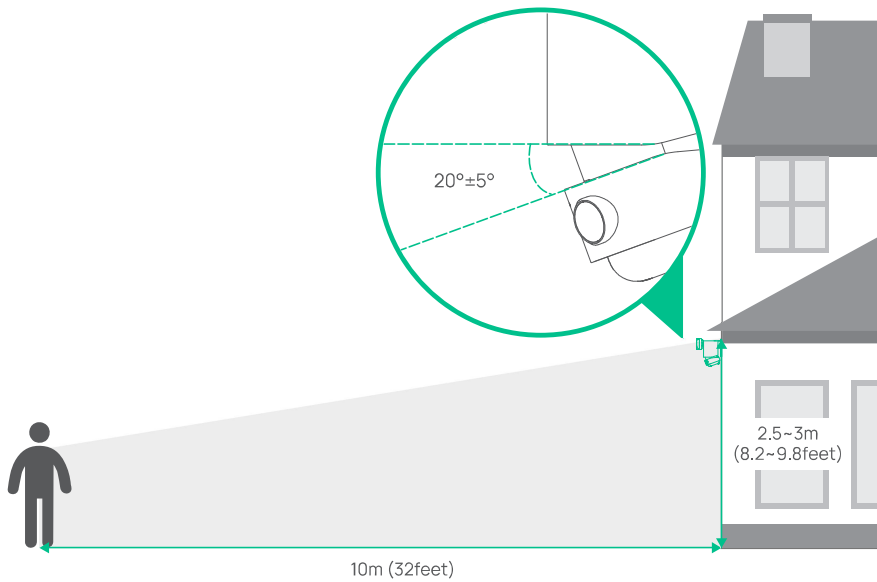
Wall Mount



Upside Down Mount

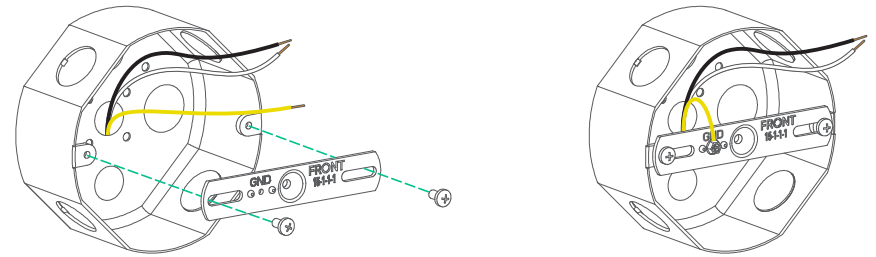
## INSTALLATION

- For a better user experience, we recommend that you follow the steps below to mount the camera.
- Recommended mounting height is 2.5 to 3 meters (8.2 to 9.8 feet) above the ground. Either too high or too low height may affect the operation of the motion detector.



### Wall Mount

1. Install the new metal bracket to the junction box. Align the two screw holes and tighten the bracket using matching screws (Pack A1, A2 or A3).
2. Use the ground wire screw to attach the ground wire (yellow or green) to the middle of the metal bracket.

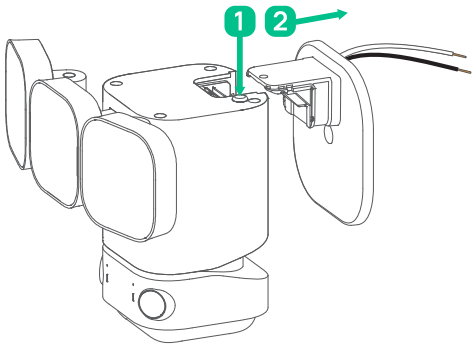


#### NOTICE:

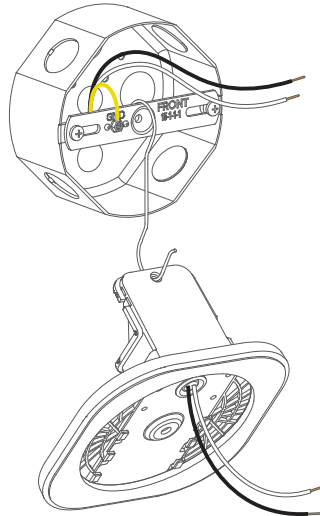
- The concaved side of the metal bracket must face outwards.
- The metal bracket needs to be installed horizontally on the ground.
- The wires need to come out from above the metal bracket.

## INSTALLATION

3. Press and hold the button on top of floodlight camera and pull outward to release the mount bracket from the floodlight camera.

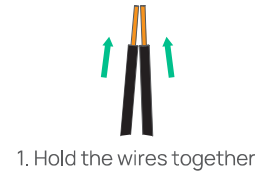


4. Hang the mount bracket on the metal bracket with the installation hook.



5. Use wire nuts to connect mount bracket wires to the rest of the wires from junction box.

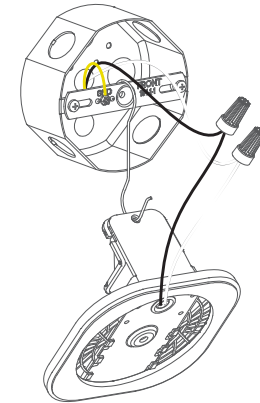
- Connect the white wire on the mount bracket to the white wire (neutral) from the junction box.
- Connect the black wire on the mount bracket to the black wire (hot) from the junction box.



1. Hold the wires together



2. Twist the wires nut 3-5 times



### NOTICE:

- Pull the wire down slightly to make sure the wire nuts secure the cable.
- Never cross-connect.

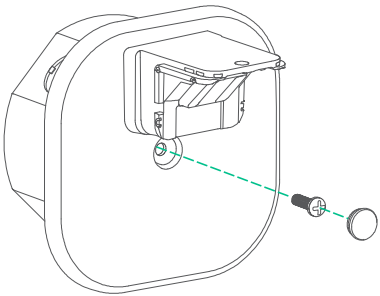
If you are in Europe please follow:

- Connect the blue wire on the mount bracket to the blue wire (neutral) from junction box.
- Connect the brown wire on the mount bracket to the brown wire (hot) from junction box.

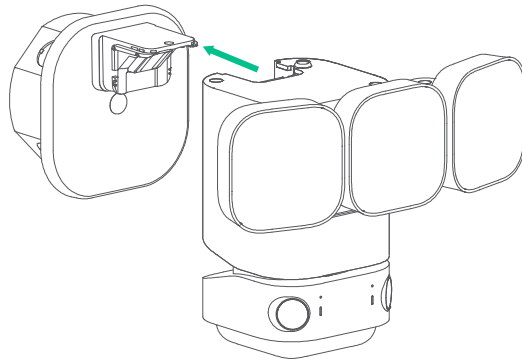


## INSTALLATION

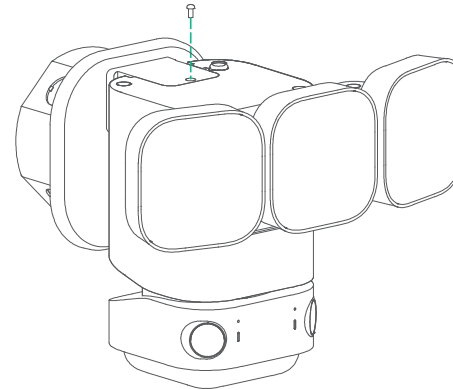
6. Insert the central screw (Pack B) through the center of mount bracket and screw it tightly. Use the rubber stopper to cover the central screw to prevent the central screw from rusting.



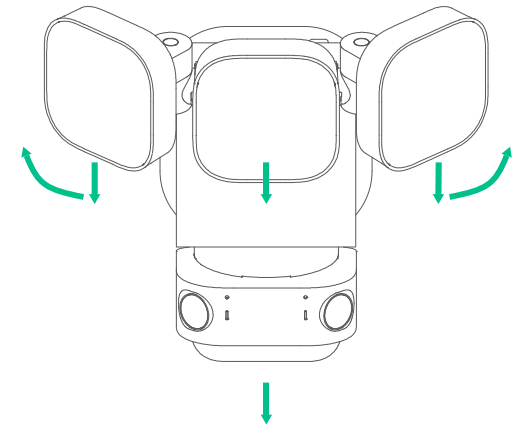
7. Align the groove on the top of the floodlight camera with the groove of the mount bracket, then push in until you hear a "click" to make sure the floodlight camera and mount bracket are combined.



8. Fix the floodlight camera and mount bracket with security screws (Pack C).



9. After installation is complete, you can adjust the camera and floodlight to your desired angle.

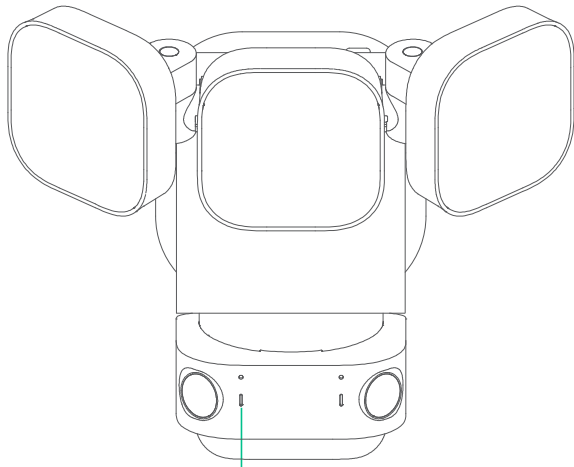


### NOTICE:

- Please put the ladder on the side of the equipment for installation which will be more convenient to operate.
- Once combined, please back and forth move the floodlight camera and mount bracket to make sure it's locked.

## INSTALLATION

10. Switch on the main circuit breaker in the house.  
Check if the floodlight camera is working and check if the LED indicator lights up solid green.

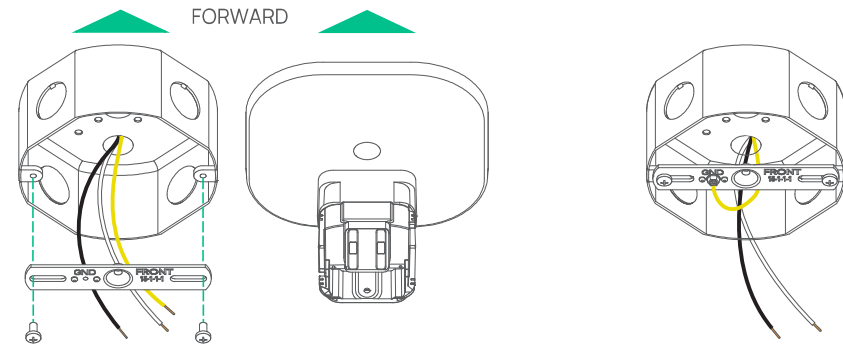


LED indicator light flashing in green

### Upside Down Mount

1. Install the new metal bracket into the junction box. Align the two screw holes and tighten the bracket with the matching screws (Pack A1, A2 or A3).

2. Use the ground wire screw to attach the ground wire (yellow or green) to the metal bracket.

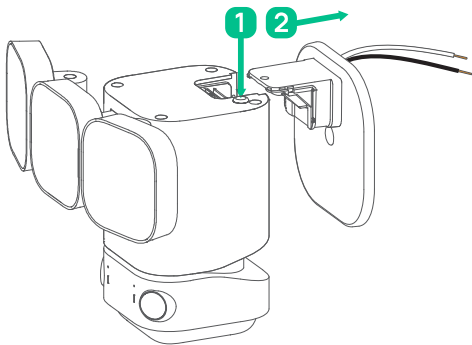


#### NOTICE:

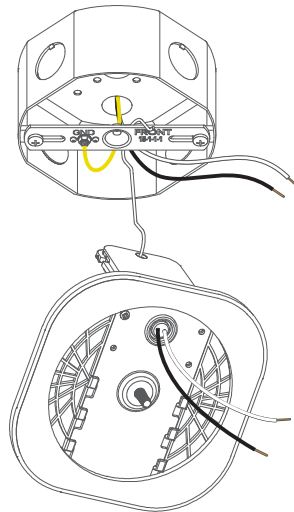
- The concave direction of the mount bracket is the direction of your camera field of view.
- The metal bracket needs to be perpendicular to the concave direction of the mount bracket.
- The wires need to come out from behind the metal bracket.

## INSTALLATION

3. Press and hold the button on top of the floodlight camera and pull outward to release the mount bracket from the camera.

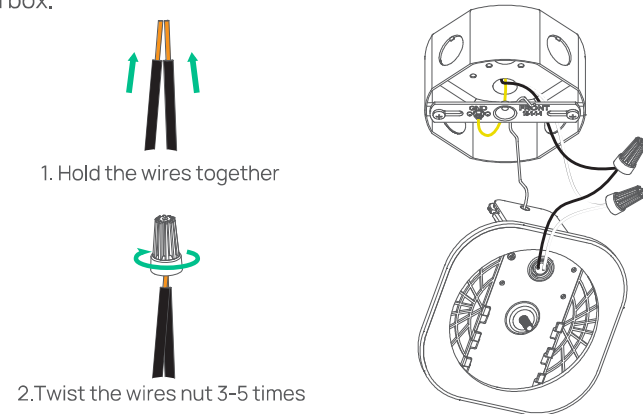


4. Hang the mount bracket on metal bracket with the installation hook.



5. Use wire nuts to connect the mount bracket wires to the rest of the wires from junction box.

- Connect the white wire on the mount bracket to the white wire (neutral) from the junction box.
- Connect the black wire on the mount bracket to the black wire (hot) from the junction box.



### NOTICE:

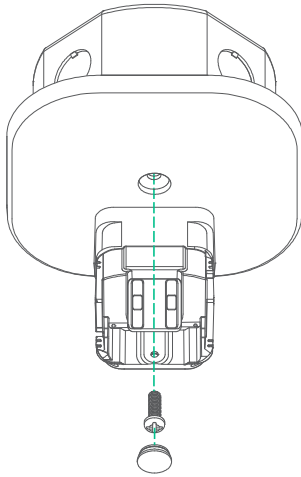
- Pull the wire down slightly to make sure the wire nuts secure the cable
- Never cross connect

If you are in Europe please follow:

- Connect the blue wire on the mount bracket to the blue wire (neutral) from junction box.
- Connect the brown wire on the mount bracket to the brown wire (hot) from junction box.

## INSTALLATION

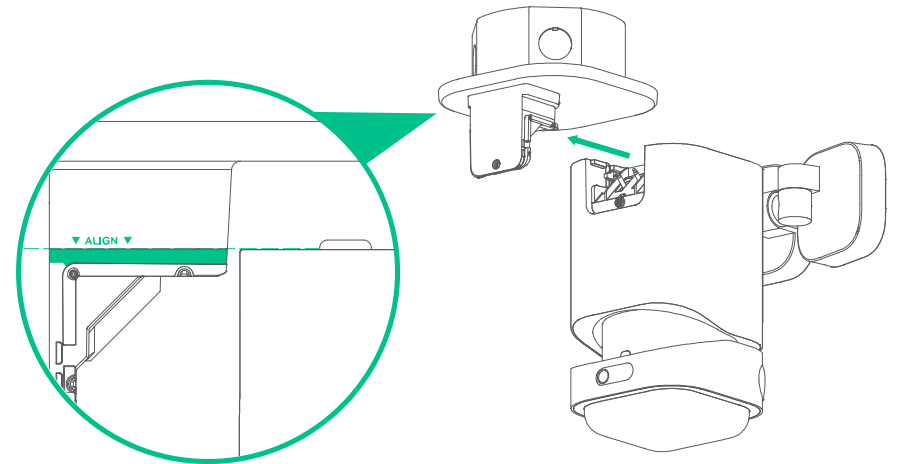
6. Insert the central screw (Pack B) through the center of mount bracket and screw it tightly. Use the rubber stopper to cover the central screw to prevent the central screw from rusting.



**NOTICE:**

The concave direction of the mount bracket is the direction of your camera field of view.

7. Align the groove on the top of the floodlight camera with the groove of the mount bracket, then push in until you hear a "click" to make sure the floodlight camera and mount bracket are combined.

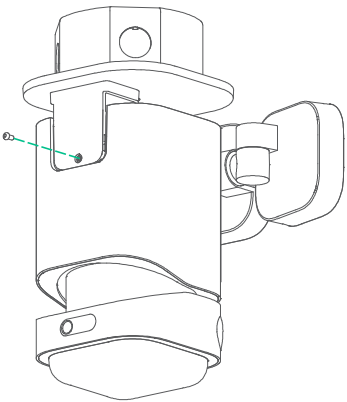


**NOTICE:**

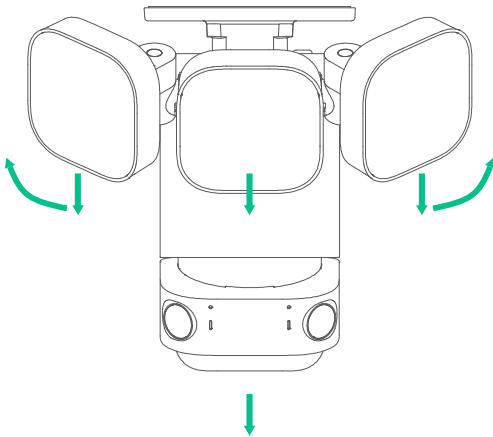
- Please put the ladder on the side of the equipment for installation which will be more convenient to operate.
- Once combined, please back and forth move the floodlight camera and mount bracket to make sure it's locked.

## INSTALLATION

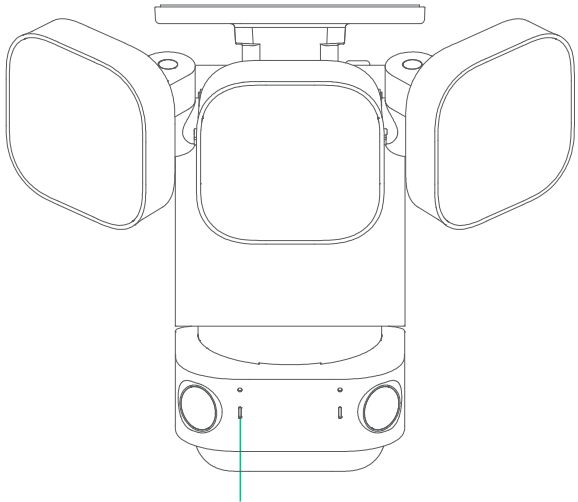
8. Fix the floodlight camera and mount bracket with security screws(Pack C).



9. After installation is complete, you can adjust the camera and floodlight to your desired angle.



10. Switch on the main circuit breaker in the house. Check if the floodlight camera is working and check if the LED indicator lights up solid green.



LED indicator light flashing in green

## LIGHT INDICATIONS

Status	Description
Solid Red	Power on/System booting / Factory resetting
Flashing Red	Wireless/Cloud connecting fail
Solid Green	Wireless connected
Flashing Green	System ready for Wi-Fi setup / Firmware update

## CAUTIONS

To avoid personal injury and/or possible product damage, the following cautions must be followed:

1. Please use the provided adapter instead of others in case of any damage to the product.
2. Keep out of reach of children. This product contains small magnets and other small parts, which can cause choking or injury if ingested.
3. To prevent early failure, the camera should only be installed in operating environments ranging between  $-20^{\circ}\text{C} \sim 50^{\circ}\text{C}$  ( $-4^{\circ}\text{F} \sim 122^{\circ}\text{F}$ ).
4. Do not install
  - close to heat source
  - near the metal objects and mirrors that cause radio signal attenuation or shading.
5. Do not disassemble or reinstall the camera, otherwise it may cause security risks.
6. Unplug the power cord before cleaning. Do not clean the camera with any liquids, spray cleaner or wet cloth.
7. The slot and opening are used for ventilation, not allowed to be blocked or covered.
8. This product only can be connected to 2.4G WIFI.

● Notice: The grantee is not responsible for any changes or modifications not expressly approved by the party responsible for compliance. Such modifications could void the user's authority to operate the equipment.

● Notice: This equipment has been tested and found to comply with the limits for a Class B digital device, pursuant to part 15 of the FCC Rules. These limits are designed to provide reasonable protection against harmful interference in a residential installation.

This equipment generates uses and can radiate radio frequency energy and, if not installed and used in accordance with the instructions, may cause harmful interference to radio communications. However, there is no guarantee that interference will not occur in a particular installation. If this equipment does cause harmful interference to radio or television reception, which can be determined by turning the equipment off and on, the

## CAUTIONS

user is encouraged to try to correct the interference by one or more of the following measures:

- Reorient or relocate the receiving antenna.
- Increase the separation between the equipment and receiver.
- Connect the equipment into an outlet on a circuit different from that to which the receiver is connected.
- Consult the dealer or an experienced radio/TV technician for help.

● This device complies with Part 15 of the FCC Rules. Operation is subject to the following two conditions:

- (1) This device may not cause harmful interference.
- (2) This device must accept any interference received, including interference that may cause undesired operation.

This equipment complies with FCC radiation exposure limits set forth for an uncontrolled environment. This equipment should be installed and operated with minimum distance of 20 cm between the radiator and your body.

● This device contains licence-exempt transmitter(s)/receiver(s) that comply with Innovation, Science and Economic Development Canada's licence-exempt RSS(s). Operation is subject to the following two conditions:

1. This device may not cause interference.
2. This device must accept any interference, including interference that may cause undesired operation of the device.

L'émetteur/récepteur exempt de licence contenu dans le présent appareil est conforme aux CNR d'Innovation, Sciences et Développement économique Canada applicables aux appareils radio exempts de licence.

L'exploitation est autorisée aux deux conditions suivantes :

1. L'appareil ne doit pas produire de brouillage;
2. L'appareil doit accepter tout brouillage radioélectrique subi, même si le brouillage est susceptible d'en

compromettre le fonctionnement.

This equipment complies with ICSED RSS-102 radiation exposure limits set forth for an uncontrolled environment.

This equipment should be installed and operated with a minimum distance of 20cm between the radiator and any part of your body.

Pour se conformer aux exigences de conformité CNR 102 RF exposition, une distance de séparation d'au moins 20 cm doit être maintenue entre l'antenne de cet appareil et toutes les personnes.

## NEED HELP?

Email our support team:  
[support@iwinees.com](mailto:support@iwinees.com)

### **Linkzone Technology Co., Limited**

Room 510, 5/F, Wayson Commercial  
Building, 28 Connaught Road West,

Sheung Wan, Hong Kong

Phone: 1-888-846-6470

Website: [www.iwinees.com](http://www.iwinees.com)

**Made in China**

v1.1



Help Center